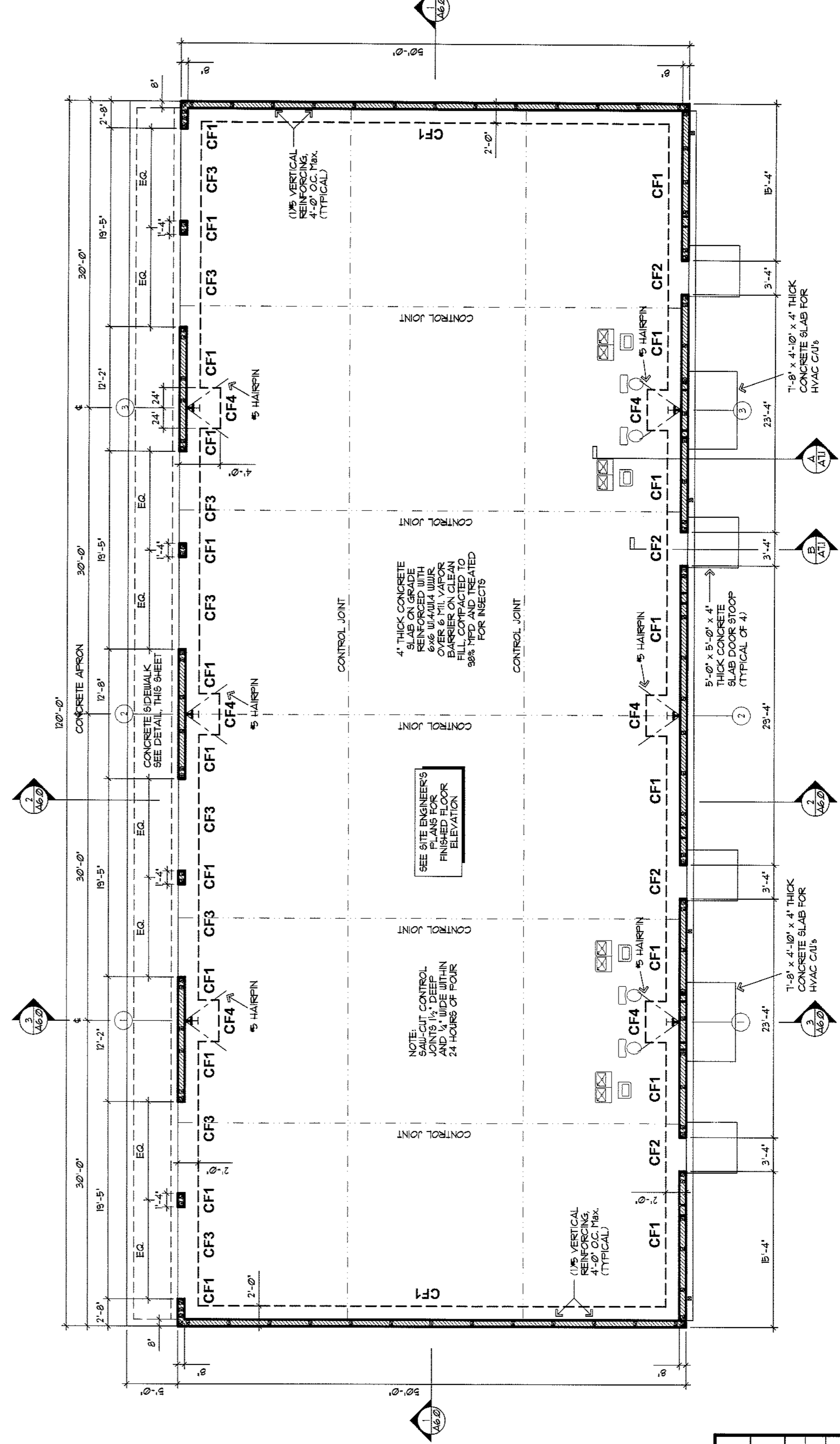
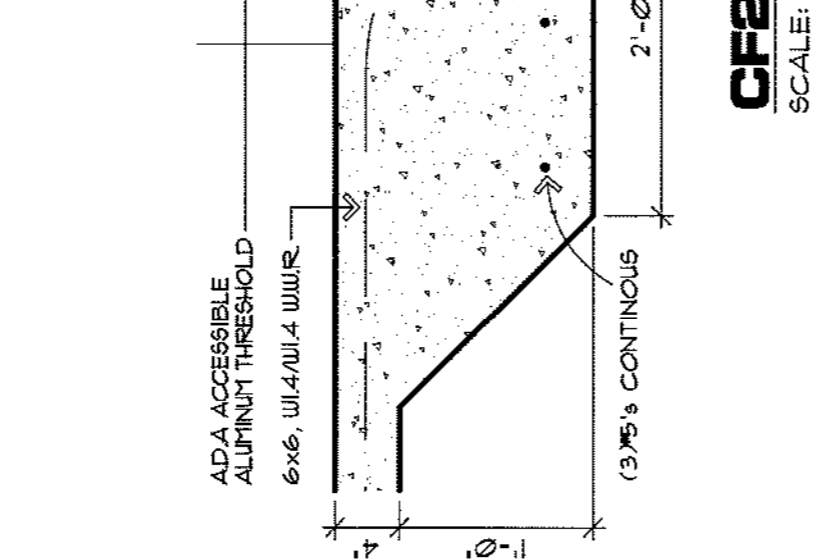
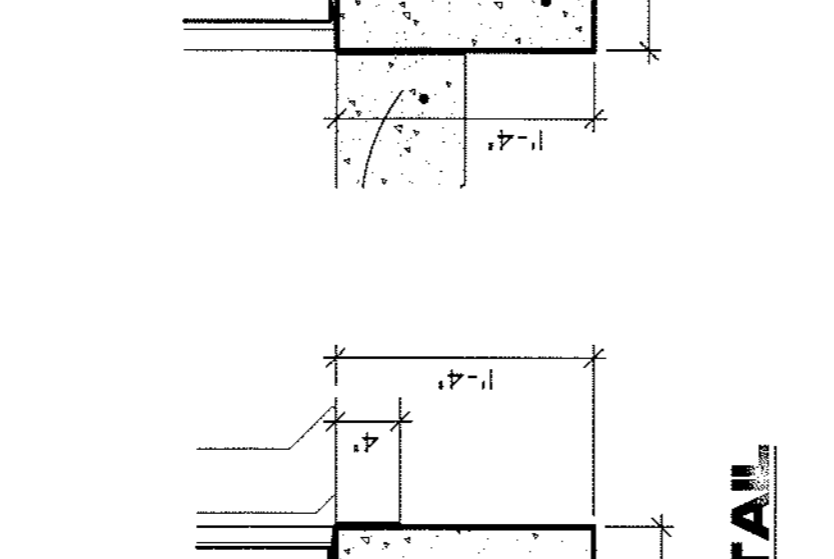
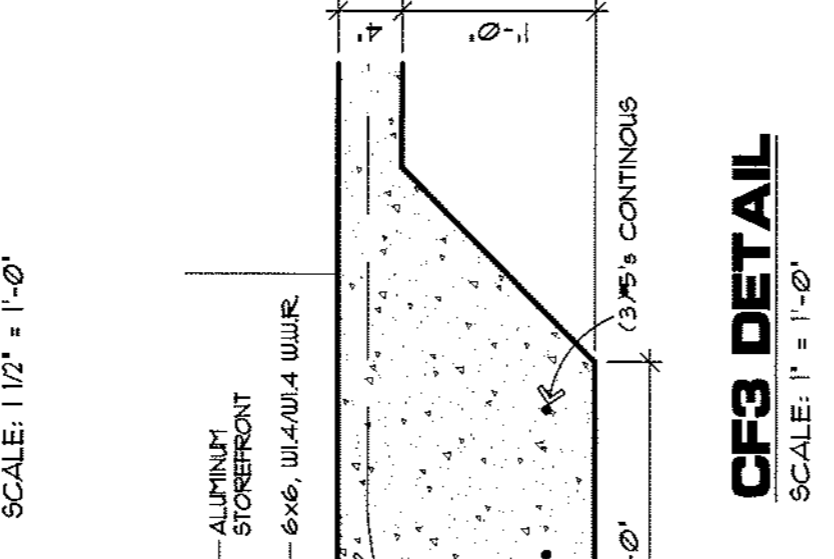
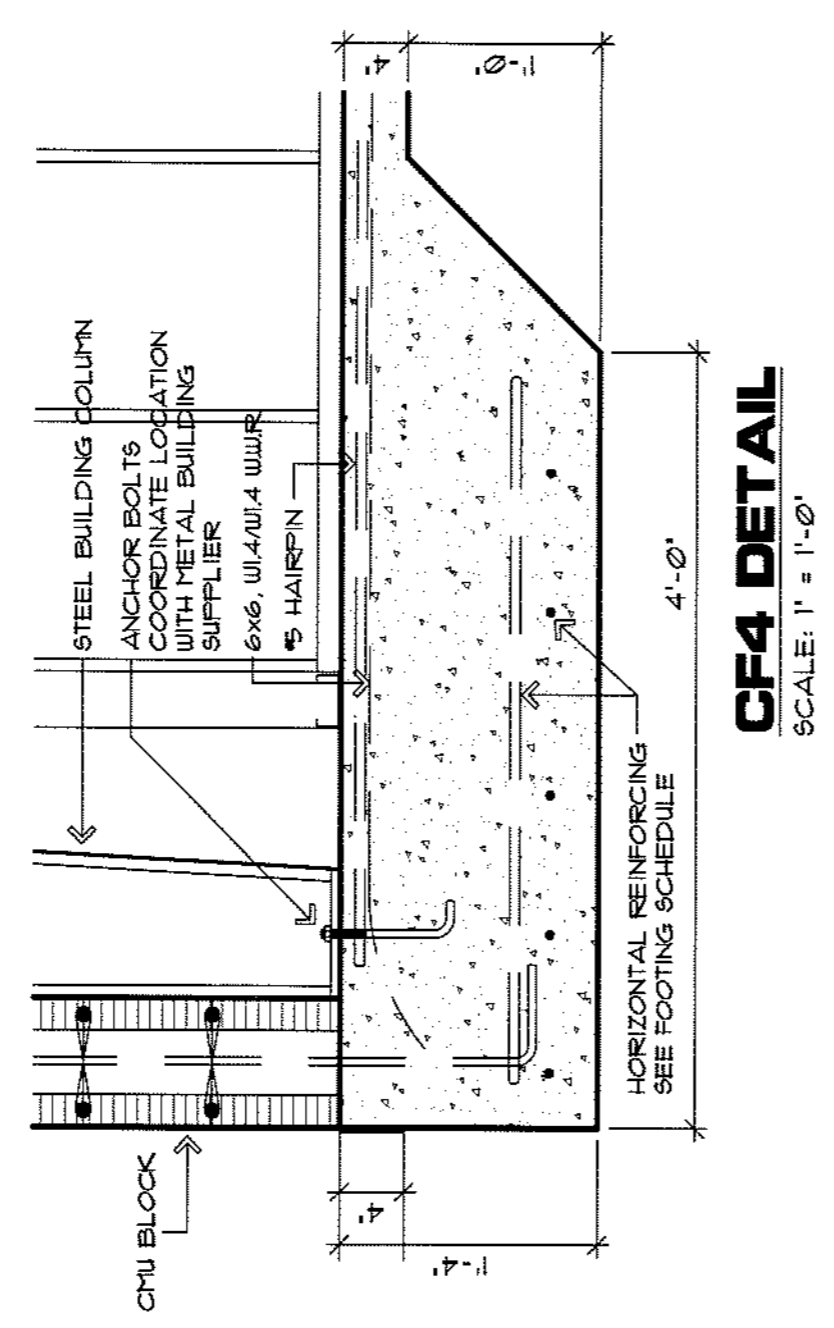
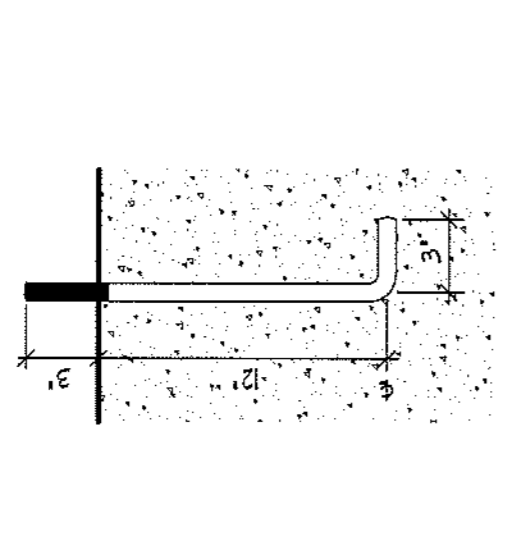
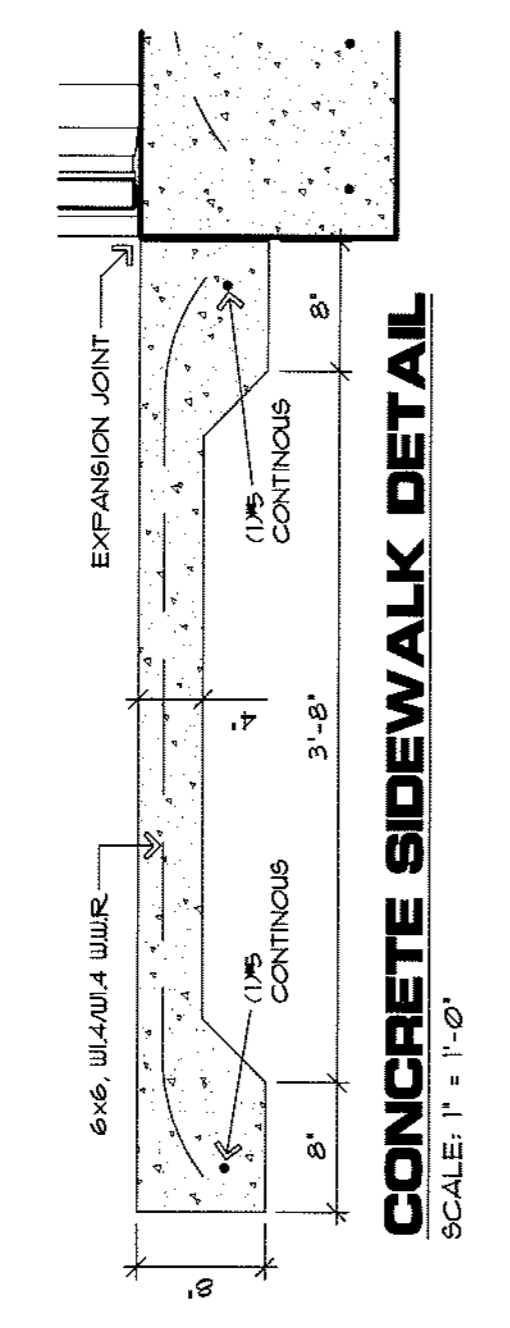




© 2007 TITSCH & ASSOCIATES ARCHITECTS, INC.



FOUNDATION NOTE:

- STRUCTURAL CONCRETE SHALL CONFORM TO ACI 301 AND SHALL HAVE 3000 PSI COMPRESSIVE STRENGTH. ALL REINFORCING SHALL BE EMBEDDED INTO THE CONCRETE FOUNDATION TO A MINIMUM OF 8". DOUELS SHALL HAVE A 6"-30" DEGREE BEND.
- ALL REINFORCEMENT SHALL BE ACCURATELY PLACED, RIGIDLY SUPPORTED AND FIRMLY TIED IN PLACE WITH BAR SUPPORTS AND SPACERS IN ACCORDANCE WITH ACI 301 AND 318.

MASONRY CONSTRUCTION

EXTERIOR WALLS CONSTRUCTED OF MASONRY UNITS SHALL BE CONSTRUCTED IN ACCORDANCE WITH THE MASONRY UNIT CONSTRUCTION UNITS SHALL BE REINFORCED WITH AT LEAST ONE #5 BAR AT ALL CORNERS, FOURED SOLID WITH CONCRETE. SUCH REINFORCING SHALL BE PROPERLY ANCHORED INTO THE FOOTING AND THE BEAM.

- ALL 8" BLOCK MASONRY WALLS WITH OPENINGS GREATER THAN SIX FEET SHALL HAVE A #5 VERTICAL BAR AT EACH SIDE OF OPENING.
- OPENINGS 8'-0" OR GREATER SHALL HAVE (2) #5 VERTICAL BARS AT EACH SIDE OF OPENING.
- ALL VERTICAL DOUELS SHALL BE EMBEDDED INTO THE CONCRETE FOUNDATION TO A MINIMUM OF 8". DOUELS SHALL HAVE A 6"-30" DEGREE BEND.
- ALL BLOCK CELLS WHERE VERTICALS ARE PLACED SHALL BE FILLED WITH A MINIMUM OF 3000 PSI CONCRETE MIX. REINFORCEMENT BARS SHALL BE MINIMUM GRADE 60S MINIMUM LAP SPLICE IS 48 BAR DIAMETERS.

TE BEAMS AND COLUMNS

ALL TIES MUST BE FULLY ANCHORED AT TOP. CONCRETE SHALL BE PLACED IN 4" LIFTS. REINFORCING STEEL SHALL HAVE A MINIMUM Y_s OF 60,000 PSI.

- MINIMUM SIZE BLOCK COLUMNS SHALL BE 8" X 12" WITH (4) #5 BARS AND #5 TIE AT 8" ON CENTER. (SEE SCHEDULE FOR ACTUAL SIZE) FOOTER TO THE BEAM.
- MINIMUM CAST CONCRETE COLUMNS SHALL BE 8" X 8" WITH (4) #5 BARS AND #5 TIE AT 8" ON CENTER. (SEE SCHEDULE FOR ACTUAL SIZE) FOOTER TO THE BEAM.
- ALL THE BEAMS SHALL REQUIRE A MINIMUM OF TWO OUTSIDE CORNER BARS WITH A MINIMUM LAP OF 24" FOR BARS OF 5/8" DIAMETER OR GREATER THAN 5/8" SHALL BE LAPPED A MINIMUM OF 48 BAR DIAMETERS.

FOOTING SCHEDULE

TYPE	SIZE	BOTTOM ELEVATION	REINFORCING
CF1	2'-0" x 16"	-16"	(3) #5 CONTINUOUS
CF2	2'-0" x 16"	-16"	(3) #5 CONTINUOUS
CF3	2'-0" x 16"	-16"	(3) #5 CONTINUOUS
CF4	4'-0" x 4'-0" x 16"	-16"	(5) #5 EACH WAY