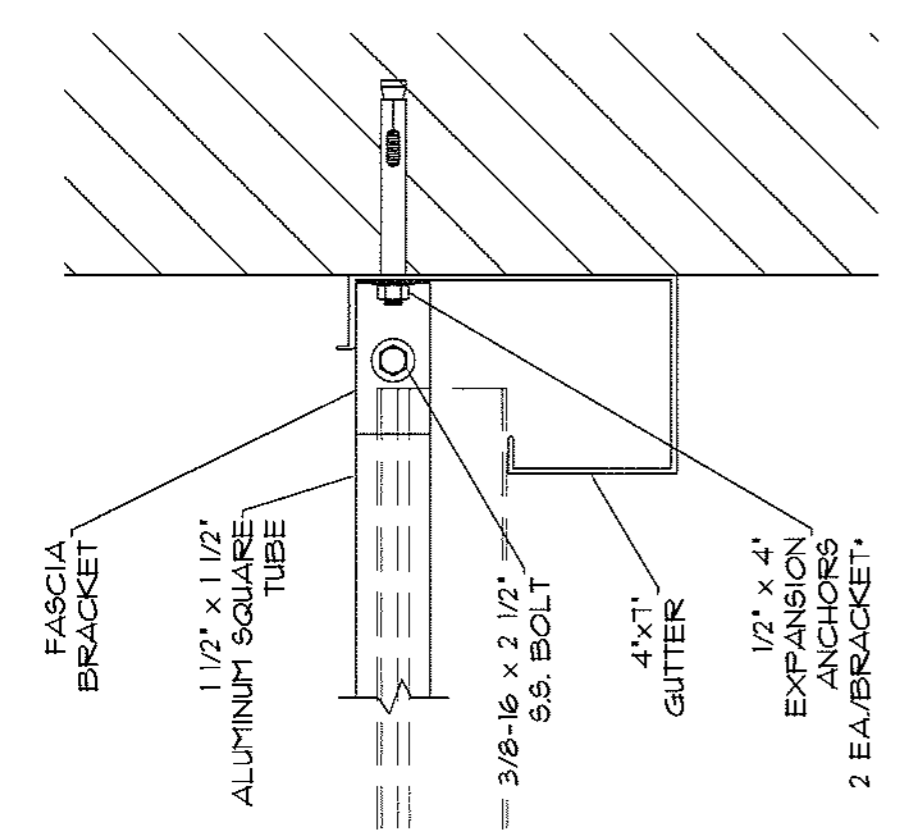
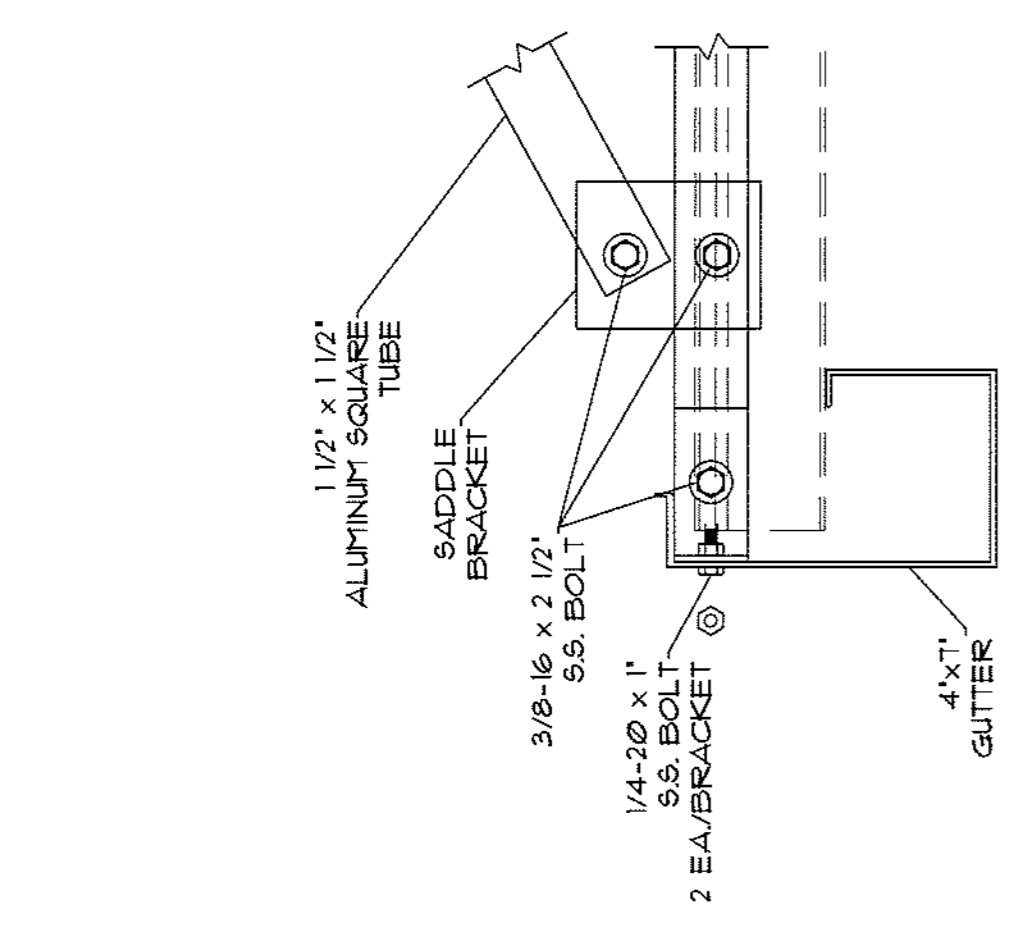


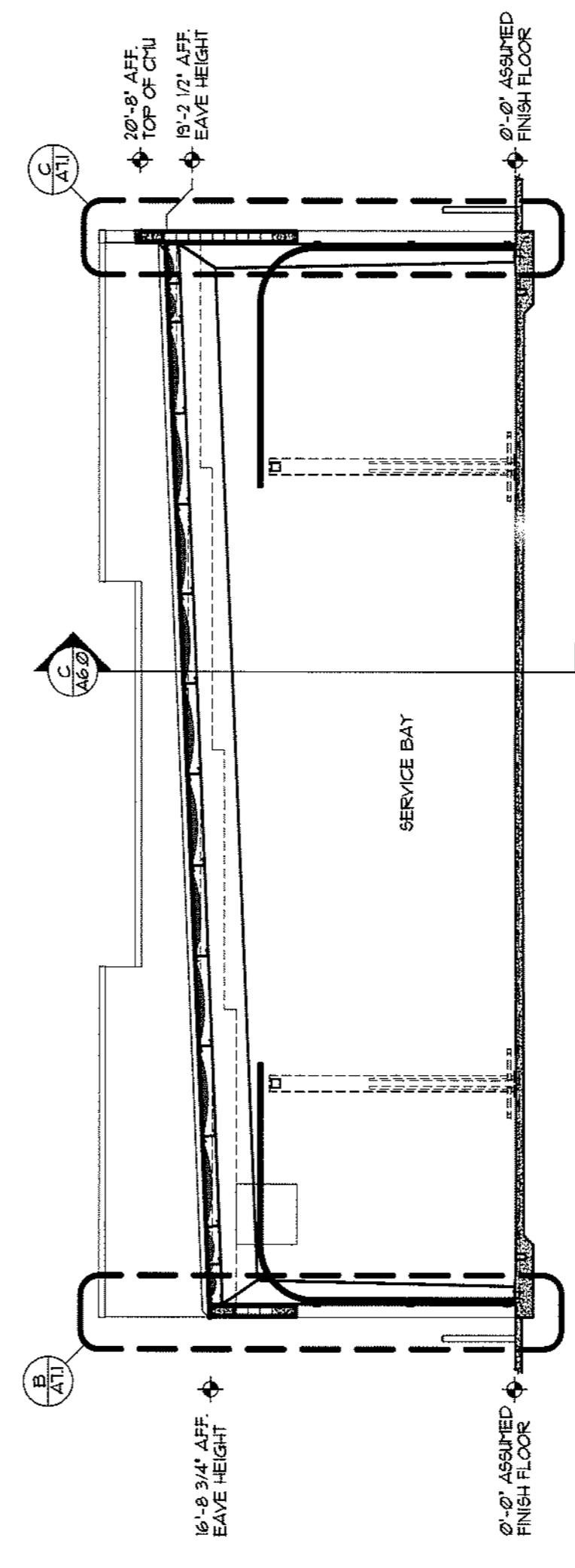
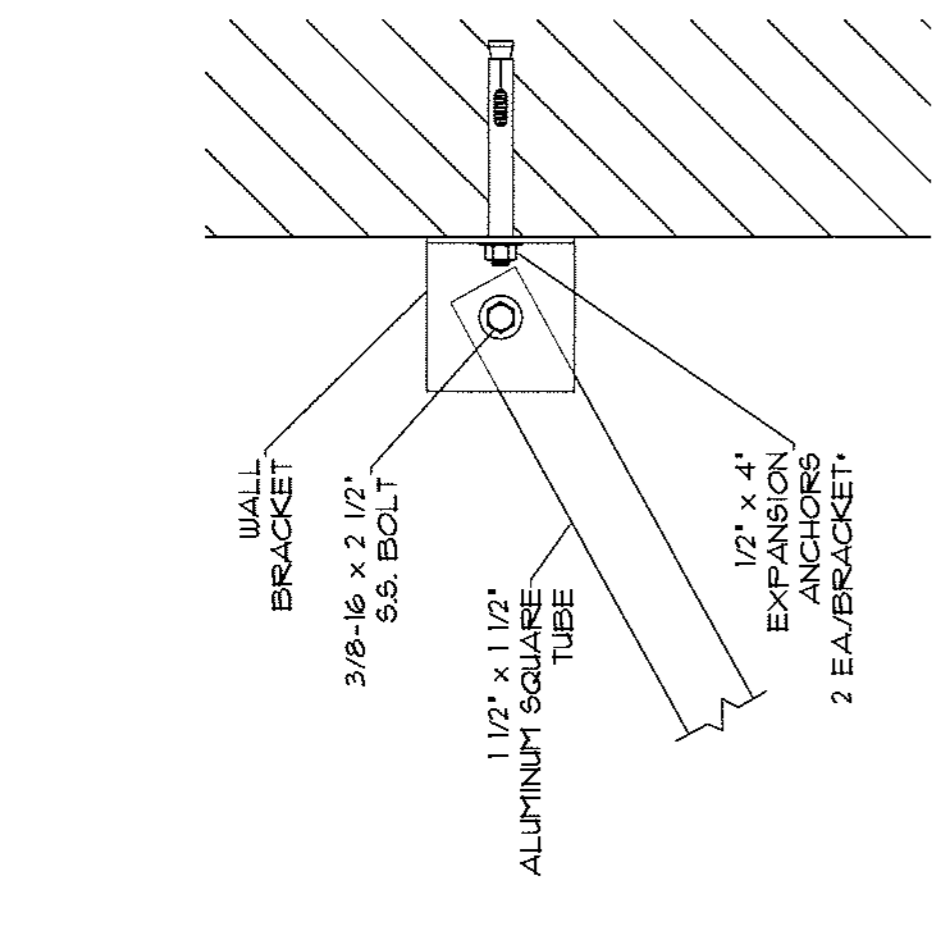
**4 DETAIL LOWER BRACKET**  
 SCALE: 3" = 1'-0"  
 A6.0



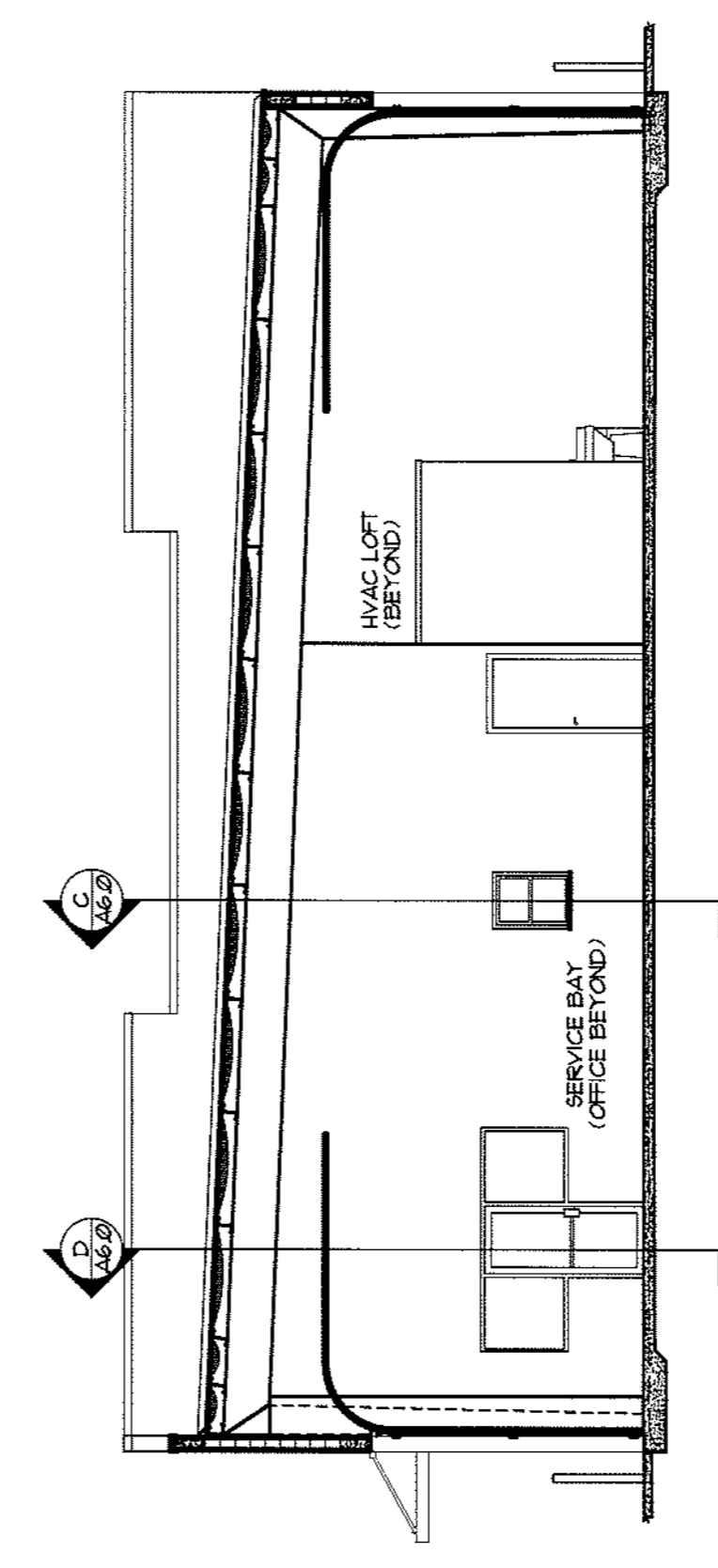
**5 DETAIL OUTER BRACKET**  
 SCALE: 3" = 1'-0"  
 A6.0



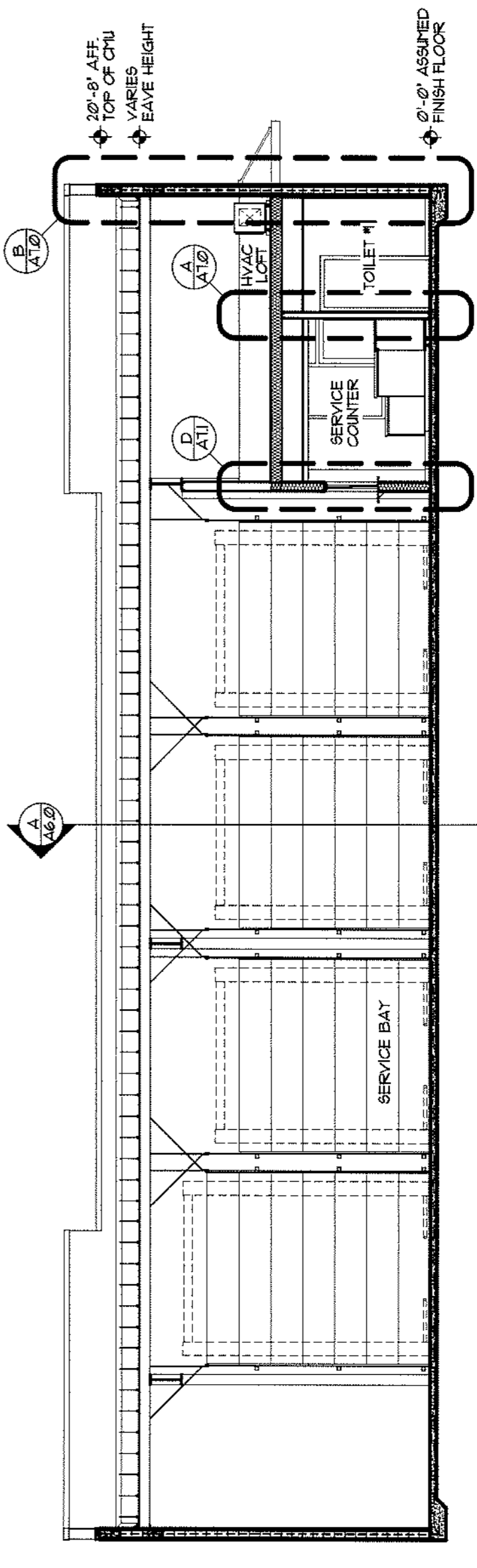
**6 DETAIL UPPER BRACKET**  
 SCALE: 3" = 1'-0"  
 A6.0



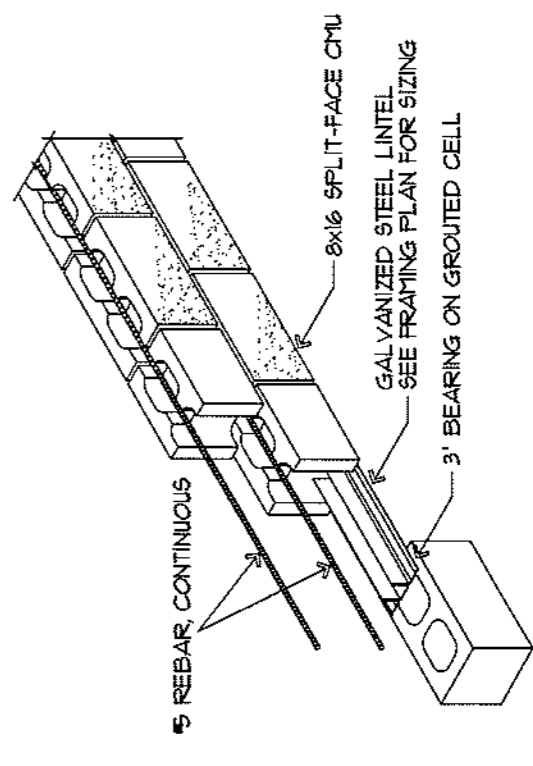
**C BUILDING SECTION**  
 SCALE: 1/8" = 1'-0"  
 A6.0



**D BUILDING SECTION**  
 SCALE: 1/8" = 1'-0"  
 A6.0



**D BUILDING SECTION**  
 SCALE: 1/8" = 1'-0"  
 A6.0



**1 STEEL LINTEL DETAIL**  
 NT5, A6.0